

# Electron

## Electron LED Pendant

### Description

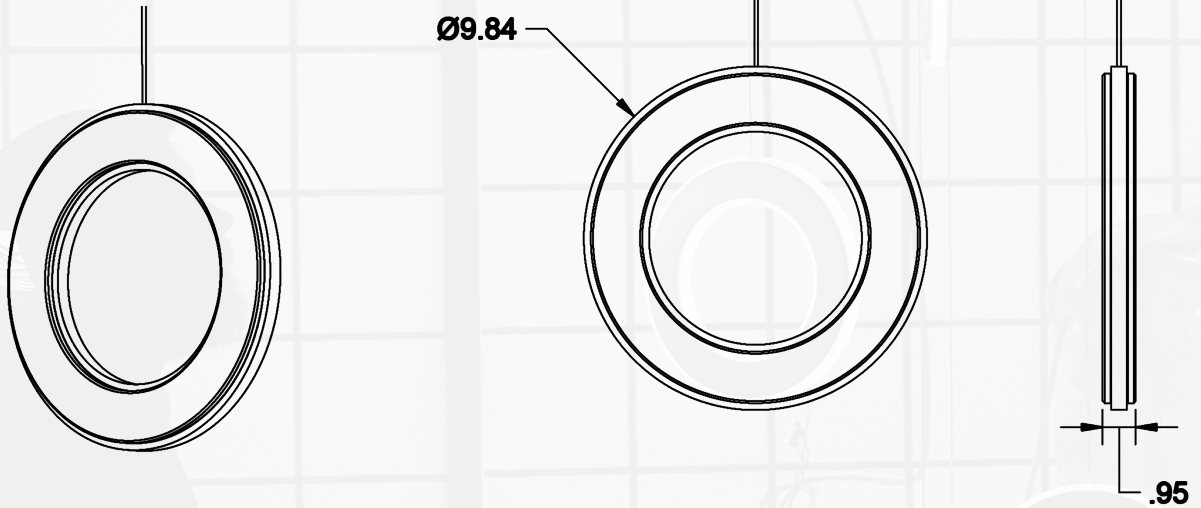
The Electron pendant reflects efficient engineering without compromising beauty or functionality. Like the subatomic particle, the light is deceptively simple, but as you delve deeper its ingenuity is revealed.

Standard size of the Electron pendant is 9.84" (250mm) Diameter and 0.95" (24mm) thick. Available as a single pendant or in a grouped arrangement.

Designed by Jordan Dery and Maurice Dery



### Size



### Model Number

Example : Electron - PN09 - 30LV - 01A1 - GLAGLA - 01PH

Name	Style	Size	Color Temp	Power	Quantity	Canopy Style	Fixture Color	Canopy Color	Lumen Output	Dimming Options
XXXXXX	PN - Pendant CH - Chandelier WS - Wall Sconce FL - Floor Lamp T - Table Lamp	09 - 9" Dia	27 - 2700K 30 - 3000K 35 - 3500K	AC - Line Voltage (120V 60Hz) LV - Low Voltage GL - Global Voltage (200 - 240 50Hz)	Number of pendants and or light sources.  01 - One pendant / light source	Various canopy options available including standard options and custom canopy requests. See Canopies and Suspension page for all options. For example A1 - 6" Dia Canopy	GLA - Gold CLA - Clear BKA - Black	GLA - Gold CLA - Clear BKA - Black	01 - Standard 02 - Hi Output 03 - Custom	PH - Phase Dimming 10 - 0-10 V Dimming ELV - ELV Dimming DALI - DALI Dimming

Note: Not all options are available for all models

### Specifications

Specifications	
Standard Lumen Output	
Voltage	12 VDC
Wattage	11.6 Watts
Lumen Output (Source)	~880 Lumens
Light Source	Karice LED Tape
CRI	80+ CRI

### Finishes

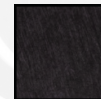
Standard finishes available, Custom finish options available upon request



GLA  
Light Gold  
Anodized



CLA  
Clear  
Anodized



BKA  
Black  
Anodized



Karice Lighting  
karicelighting.com  
info@karicelighting.com  
1(604) 542 7137

*Karice*