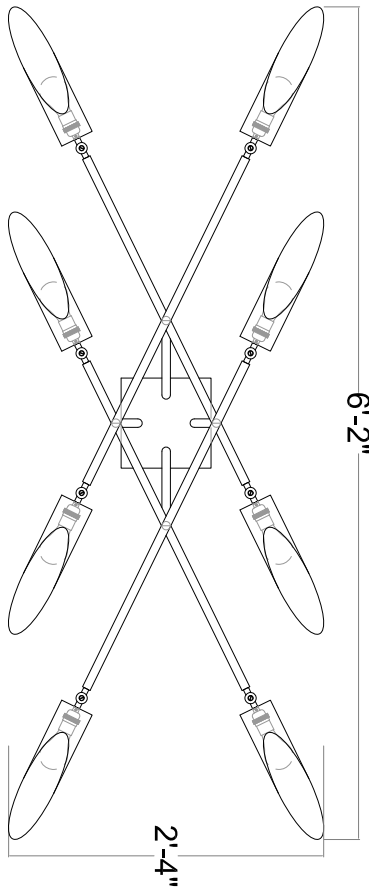


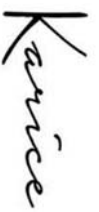
4'-0"

PLAN VIEW - LOOKING UP FROM BOTTOM



6'-2"

2'-4"



KARICE ENTERPRISES LTD
 #101 - 190157 - 25th Ave
 Surrey, BC V2V 3V2
 604-542-7137 fax 604-542-7157

PROPRIETARY AND CONFIDENTIAL
 Information contained in this drawing is proprietary and confidential and shall remain the sole property of Karice Enterprises Ltd. This document shall not be used, copied or reproduced in whole or in part without prior written permission of Karice Enterprises Ltd. All prints shall be returned upon job completion unless otherwise specified in writing by Karice Enterprises Ltd.

OCTAVE Chandelier

Finishes:	White or Black, Brass Accents
Lamping:	B11 4.5W (60W led replacement)
Lumens:	x8 @ 500 = 4,000
Color Temperature:	2700K
Dimensions:	74" x 28" x 48" high
Material Specifications:	Steel; 33 lbs
Notes:	Fully Customizable, dimmable