

## OLO LED Pendant

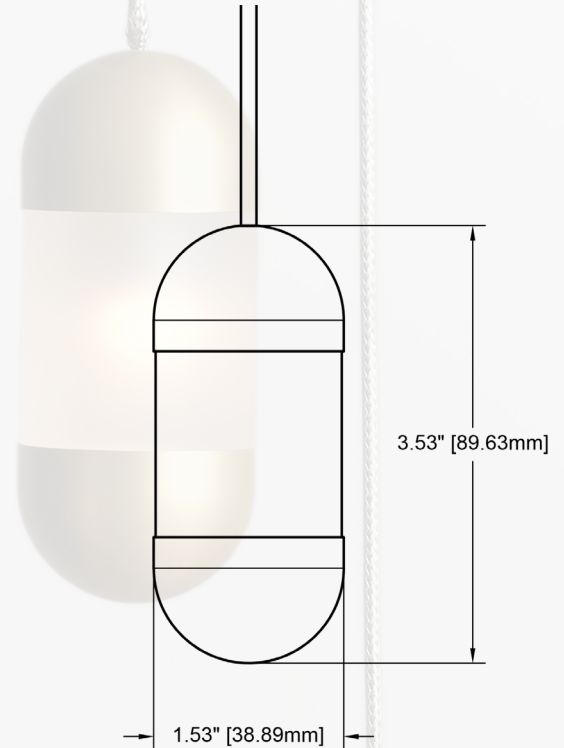
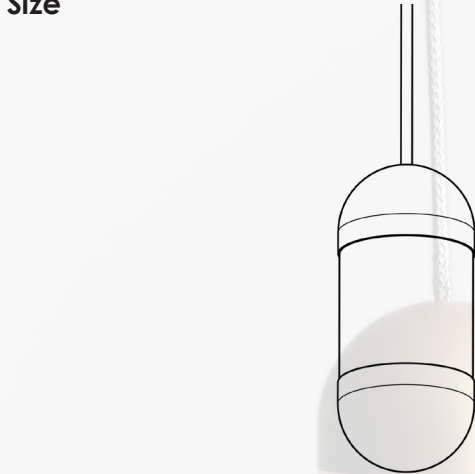
### Description

OLO, pure simplicity with its oval shape and gentle glow. OLO uses a micro G4 LED bulb shining through a frosted acrylic lens to give its candle like glow. The OLO light is almost identical to the Mini Fuse pendant. The lighting parts that make up the light are interchangeable.

Designed by Maurice Dery



### Size



### Model Number

Example : OLO - PN1.5 - 30LV - 01A1 - GLAGLA - 01PH

Name	Style	Size	Color Temp	Power	Quantity	Canopy Style	Fixture Color	Canopy Color	Lumen Output	Dimming Options
XXXXXX	PN - Pendant CH - Chandelier WS - Wall Sconce FL - Floor Lamp T - Table Lamp	1.5 - 1.5" Dia	27 - 2700K 30 - 3000K 57 - 5700K	AC - Line Voltage (120V 60Hz) LV - Low Voltage GL - Global Voltage (200 - 240 50Hz)	Number of pendants and or light sources.  01 - One pendant / light source	Various canopy options available including standard options and custom canopy requests. See Canopies and Suspension page for all options. For example A1 - 6" Dia Canopy	GLA - Gold CLA - Clear BKA - Black	GLA - Gold CLA - Clear BKA - Black	01 - Standard 02 - Hi Output 03 - Custom	PH - Phase Dimming 10 - 0-10 V Dimming ELV - ELV Dimming DALI - DALI Dimming

Note: Not all options are available for all models

### Specifications

Specifications	
Standard Lumen Output	
Voltage	12 VDC
Wattage	1.2 Watts
Lumen Output (Source)	~ 100 Lumens
Light Sources	Micro G4 LED
CRI	85 CRI

### Finishes

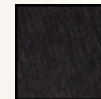
Standard finishes available, Custom finish options available upon request



GLA  
Light Gold  
Anodized



CLA  
Clear  
Anodized



BKA  
Black  
Anodized