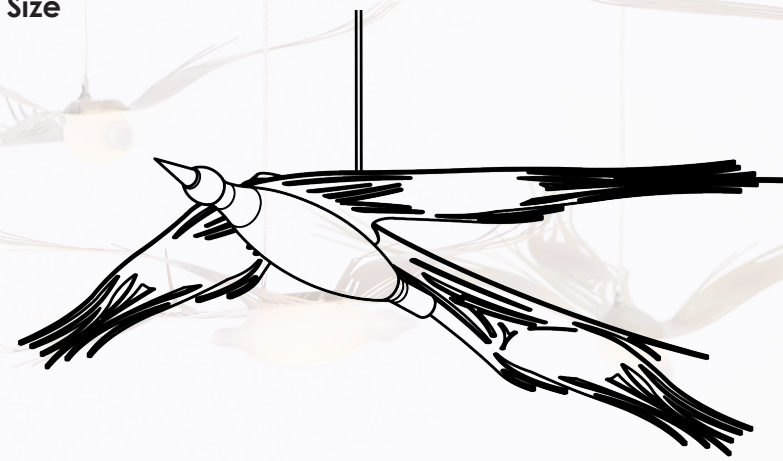


Phoenix



Size



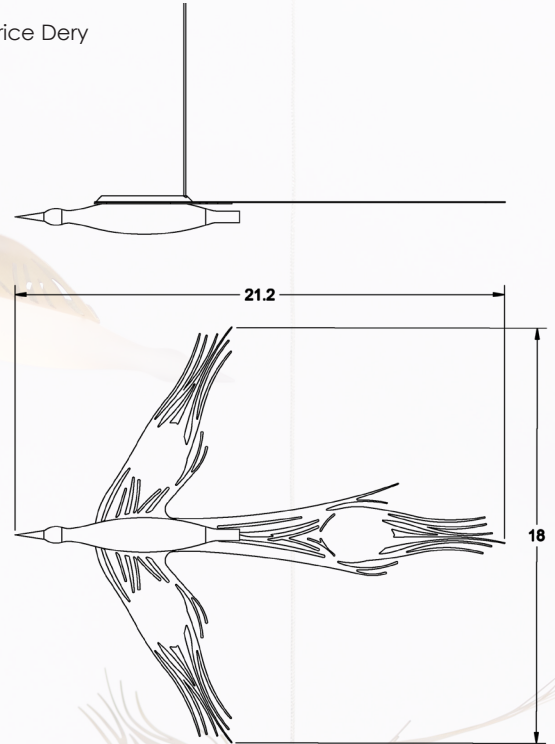
Phoenix Pendant

Description

Phoenix rising from the ashes. Phoenix Pendant Light is a decorative light for imagining new spaces. Phoenix is an artistic representation of the mythological phoenix bird. Hand crafted using genuine brass, and enlighten rod. The illumination of Phoenix, results in the creation of one's own magical environment.

The Phoenix light suspends from a simple coaxial cable. The approximate size of the light is 21" x 18", although variation occurs with the specific curvature of the wings and tail. Each bird is unique in appearance. The wings and tail are heat treated to enable beautiful variation in coloration. No two birds will be alike.

Designed by Maurice Dery



Model Number

Example : Phoenix - PN00 - 30LV - 01A1 - BRABRA - 01PH

Name	Style	Size	Color Temp	Power	Quantity	Canopy Style	Fixture Color	Canopy Color	Lumen Output	Dimming Options
XXXXXX	PN - Pendant CH - Chandelier WS - Wall Sconce FL - Floor Lamp T - Table Lamp	00 - Standard Size	27 - 2700K 30 - 3000K 34 - 3400K 41 - 4100K	AC - Line Voltage (120V 60Hz) LV - Low Voltage GL - Global Voltage (200 - 240 50Hz)	Number of pendants and or light sources. 01 - One pendant / light source	Various canopy options available including standard options and custom canopy requests. See Canopies and Suspension page for all options. For example A1 - 6" Dia Canopy	BRA - Brass	BK - Black WH - White SL - Silver BR - Bronze GL - Sun Gold	01 - Standard	PH - Phase Dimming 10 - 0-10 V Dimming ELV - ELV Dimming DALI - DALI Dimming

Note: Not all options are available for all models

Specifications

Specifications	Standard Lumen Output
Voltage	24 VDC
Wattage	0.75 Watts
Lumen Output	~ 62 Lumens
Light Source	Karice LED Tape Module
CRI	91+ CRI

Finishes

Standard finishes available, Custom finish options available upon request



BRA
Genuine
Brass



Karice Lighting
karicelighting.com
info@karicelighting.com
1(604) 542 7137

Karice