

Tetra



Tetra LED Pendant

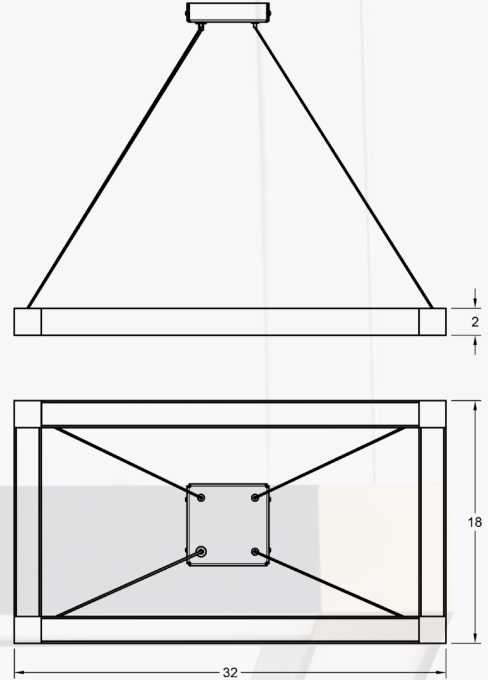
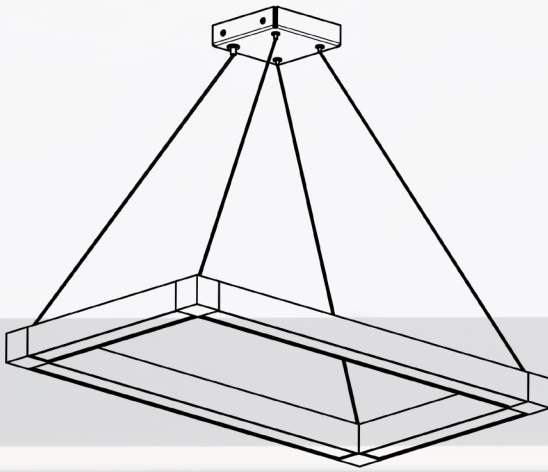
Description

TETRA meaning "four" we present our rectangular shaped light. A simple tetragon shaped quadrilateral lighting fixture. Four cubed shaped components decorate the four corners of the LED Lighting fixture.

Tetra is also available in custom sizes. All products at Karice are able to be made to your exact custom specifications.

Designed by Maurice Dery and Jordan Dery

Size



Model Number

Example : Tetra - PN1832 - 30LV -01C1 - BKABKA - 01PH

Name	Style	Size	Color Temp	Power	Quantity	Canopy Style	Fixture Color	Canopy Color	Lumen Output	Dimming Options
XXXXXX	PN - Pendant CH - Chandelier WS - Wall Sconce FL - Floor Lamp T - Table Lamp	1832 - 18" x 32"	27 - 2700K 30 - 3000K 34 - 3400K 41 - 4100K	AC - Line Voltage (120V 60Hz) LV - Low Voltage GL - Global Voltage (200 - 240 50Hz)	Number of pendants and or light sources. 01 - One pendant / light source	Various canopy options available including standard options and custom canopy requests. See Canopies and Suspension page for all options. For example C1 - 6" Square Canopy	GLA - Gold CLA - Clear BKA - Black	GLA - Gold CLA - Clear BKA - Black	01 - Standard 02 - Hi Output 03 - Custom	PH - Phase Dimming 10 - 0-10 V Dimming ELV - ELV Dimming DALI - DALI Dimming

Note: Not all options are available for all models

Specifications

Specifications 18" x 32"	
Standard Lumen Output	
Voltage	24 VDC
Wattage	25 Watts
Lumen Output (Source)	~2208 Lumens
Light Sources	Karice LED Tape
CRI	91+ CRI

Finishes

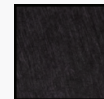
Standard finishes available, Custom finish options available upon request



GLA
Light Gold
Anodized



CLA
Clear
Anodized



BKA
Black
Anodized



Karice Lighting
karicelighting.com
info@karicelighting.com
1(604) 542 7137

Karice