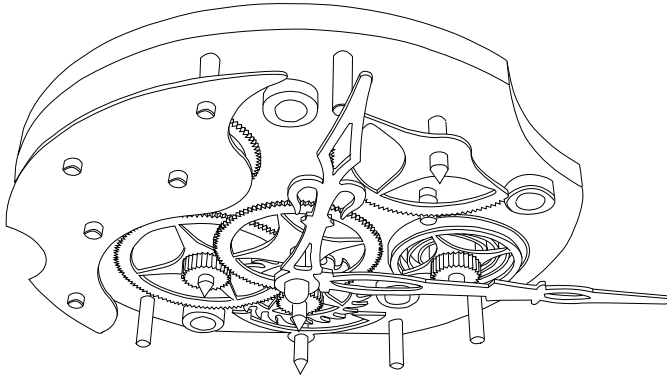


# Time



## Size



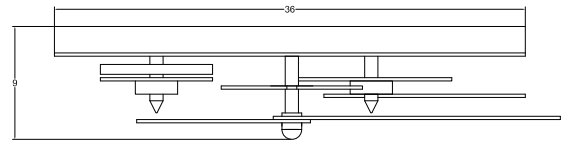
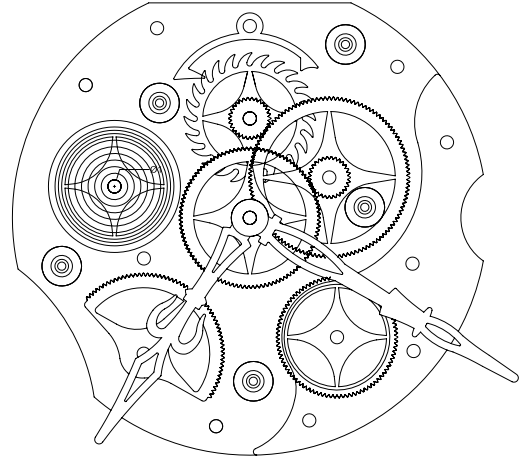
## Time LED Chandelier

### Description

TIME is not only a functioning light, it is all about design. The light is an intricate balance of gears, springs, pins and rubies (lights) as an exploded view of the inner workings of a clock.

Our newest piece "TIME" was designed in house by lead designer Maurice L. Dery. The light is illuminated with the newest in LED COB technology, using the lights to simulate the ruby jewels found in a clock.

Designed by Maurice Dery



## Model Number

Example : Time - CH00 - 30LV - 01A2 - CLACLA - 01PH

Name	Style	Size	Color Temp	Power	Quantity	Canopy Style	Fixture Color	Canopy Color	Lumen Output	Dimming Options
XXXXXX	PN - Pendant CH - Chandelier WS - Wall Sconce FL - Floor Lamp T - Table Lamp	00 - Standard	27 - 2700K 30 - 3000K 35 - 3500K 40 - 4000K	AC - Line Voltage (120V 60Hz) LV - Low Voltage GL - Global Voltage (200 - 240 50Hz)	Number of pendants and or light sources.  01 - One pendant / light source	Various canopy options available including standard options and custom canopy requests. See Canopies and Suspension page for all options. For example A1 - 6" Dia Canopy	GLA - Gold CLA - Clear BKA - Black	GLA - Gold CLA - Clear BKA - Black	01 - Standard 02 - Hi Output 03 - Custom	PH - Phase Dimming 10 - 0-10 V Dimming ELV - ELV Dimming DALI - DALI Dimming

Note: Not all options are available for all models

## Specifications

Specifications	Standard Lumen Output
Voltage	34 VDC (1000mA)
Wattage	34 Watts
Lumen Output (Tube)	~ 4350 Lumens
Light Sources	Citizen COB LED x5
CRI	90 CRI

## Finishes

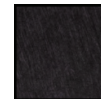
Standard finishes available, Custom finish options available upon request



GLA  
Light Gold  
Anodized



CLA  
Clear  
Anodized



BKA  
Black  
Anodized



Karice Lighting  
karicelighting.com  
info@karicelighting.com  
1(604) 542 7137

*Karice*